

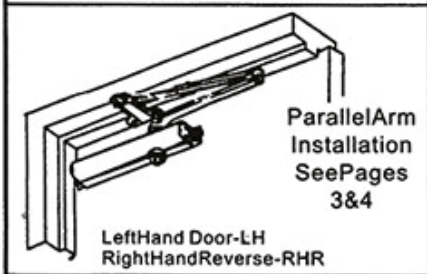
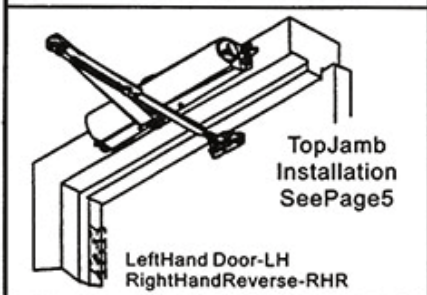
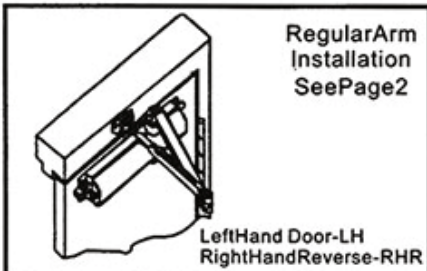
SERIES 800

Installation Instructions Non Handed Door Closer

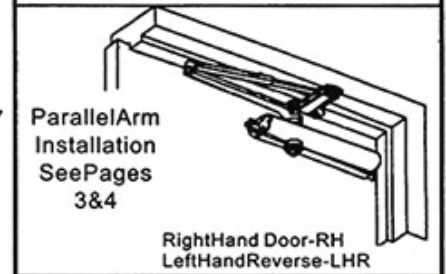
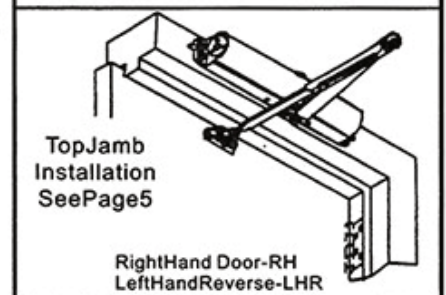
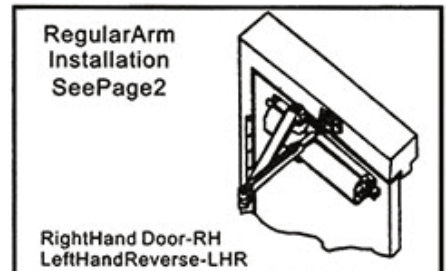


800.433.4047 | tellmfg.com

Non Hold Open Models
Adjustable Size (1 Thru 6)



CAUTION
An incorrectly installed or improperly adjusted door closer can cause property damage or personal injury. These installation instructions should be followed to avoid the possibility of misapplication or misadjustment.



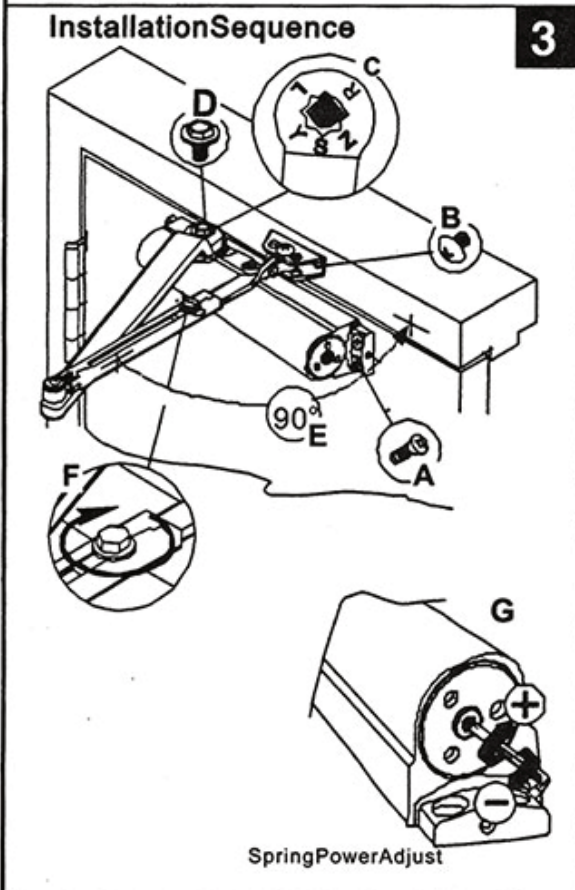
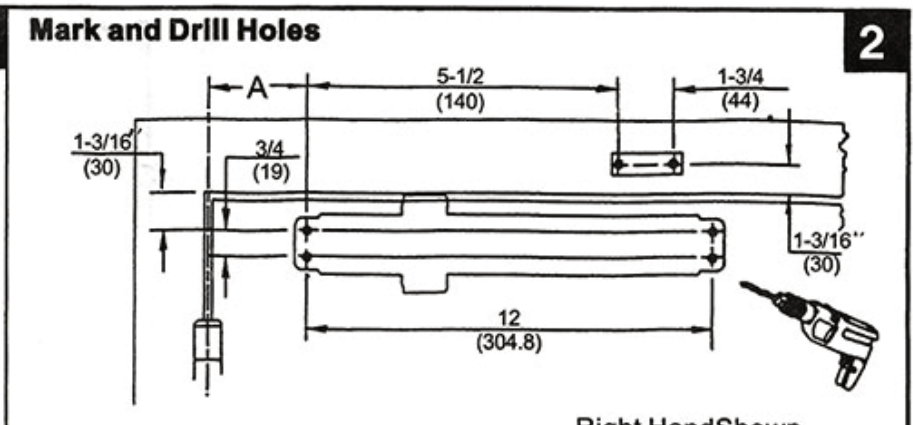
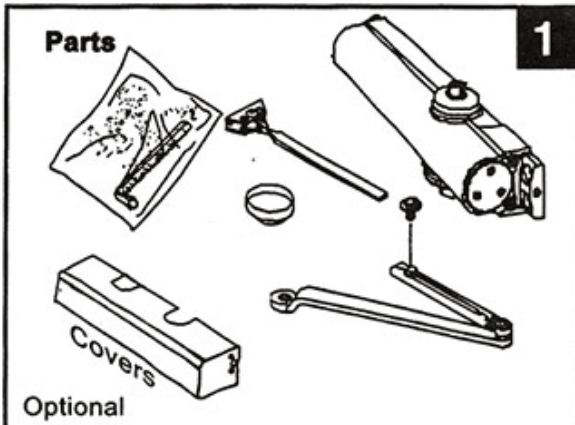
NOTE: For special applications a separate door and frame preparation template is packed with these instructions. Use this instruction sheet for installation sequence and closer adjustments only.

- Doors should be hung on ball bearing or Anti-friction hinges.
- A separate door stop is recommended.
- Door and frame must be properly reinforced.
- Adjust closing time speed between 3 and 7 seconds from 90° to 0°. Greater closing Times may be required for elderly or handicapped.

- These door closers should NOT be installed on the exposed side (weather side) of exterior doors.

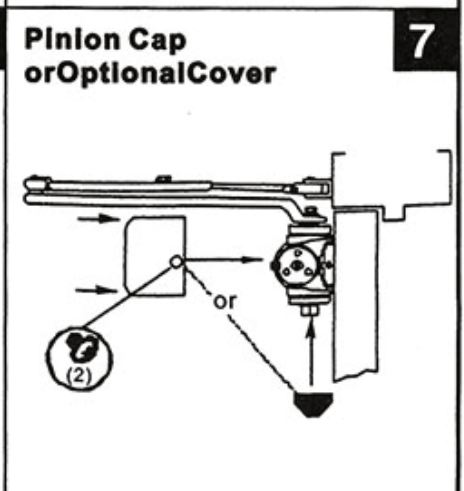
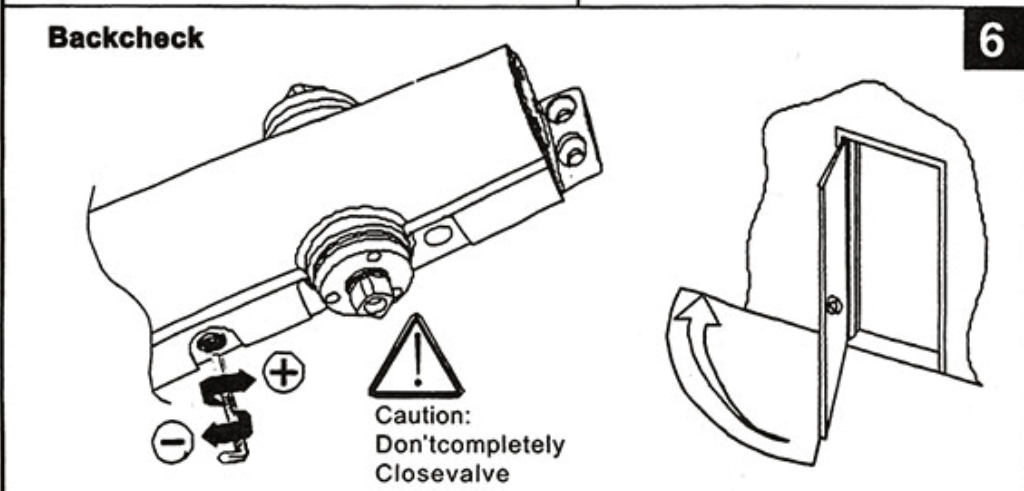
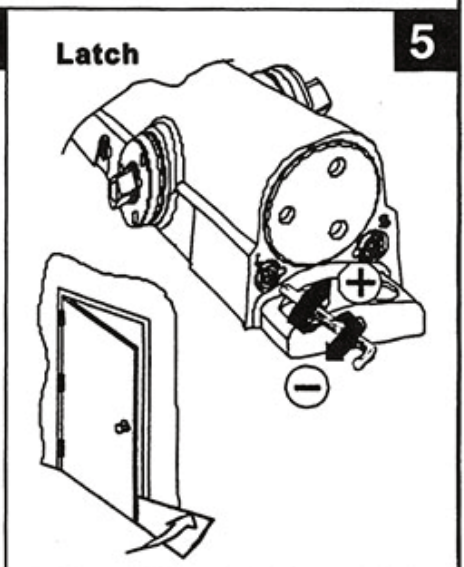
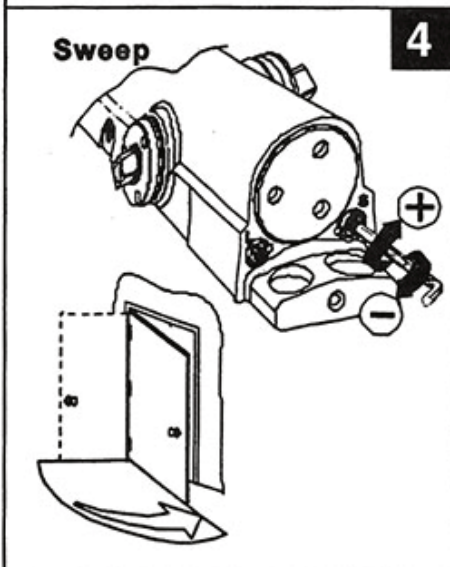
| | | | | |
|--|---|---|--|---|
| | <p>Metal</p> <p>#7 1/4-20</p> | <p>Wood</p> <p>3/16"</p> | <p>Self Drilling Screws Wood and Metal</p> <p>For Wood drill 3/16 hole</p> | <p>(Optional)</p> <p>Sleeve Nut and Bolt</p> <p>Drill 9/32 thru from Closer Side 3/8 Drill other side</p> |
| | <p>Machine Screws</p> <p>#7 Drill, 1/4-20 Tap</p> | <p>Thru Bolt and Grommet Nut</p> <p>Drill 9/32 thru from Closer Side 3/8 Drill other Side</p> | | |

Non Hold Open Door Closers — Regular Arm

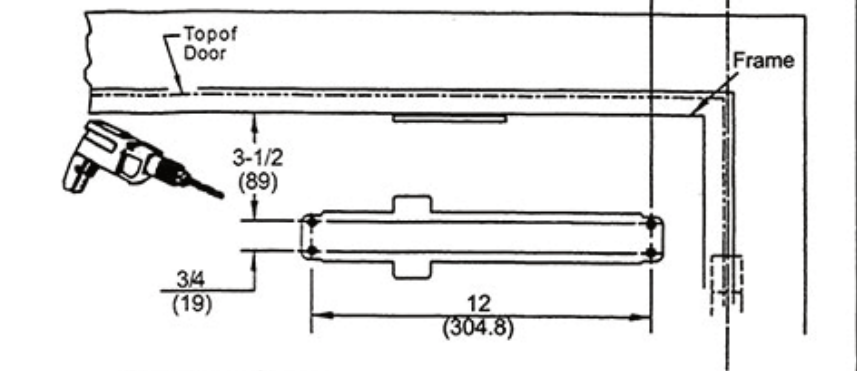
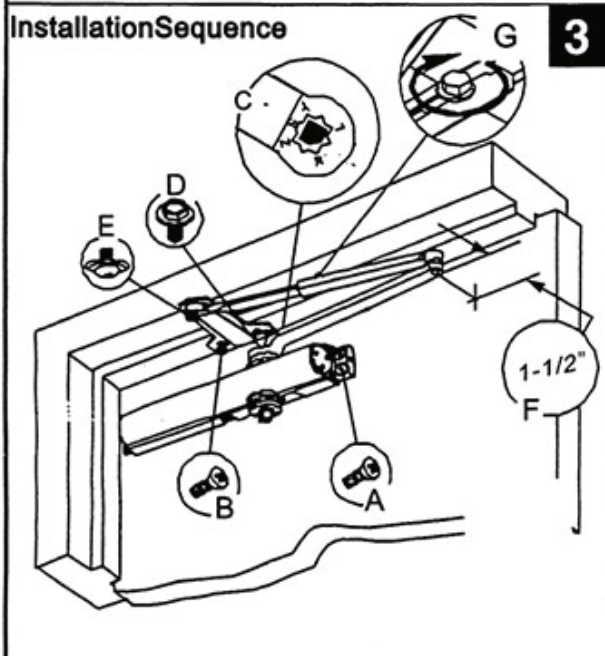
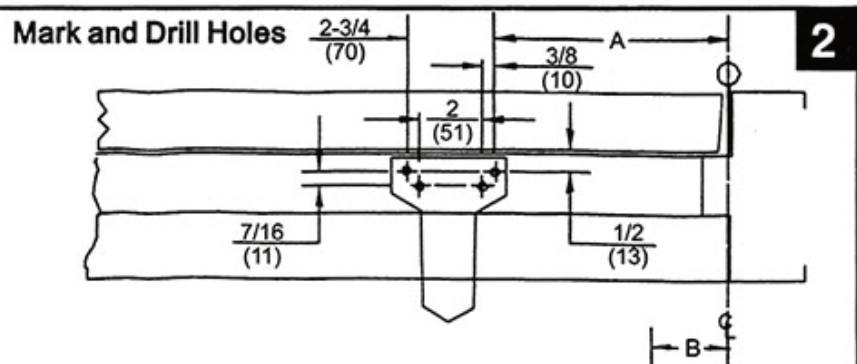
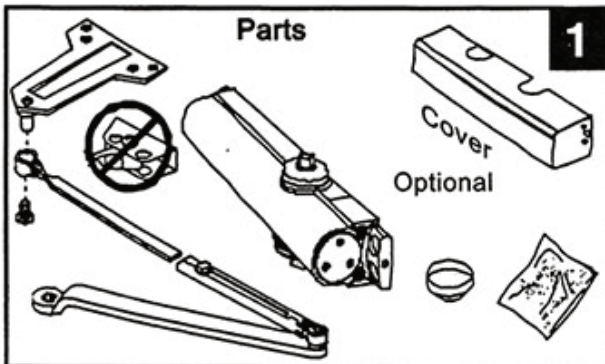


| Opening | Dimension A | Inches (mm) |
|--------------|----------------|----------------|
| To 100° | 7-1/2 (191) | |
| 101° to 130° | 6 (152) | |
| 131° to 180° | 4-1/2 (114) | |

* Door/Wall/Hardware/Jamb conditions permitting



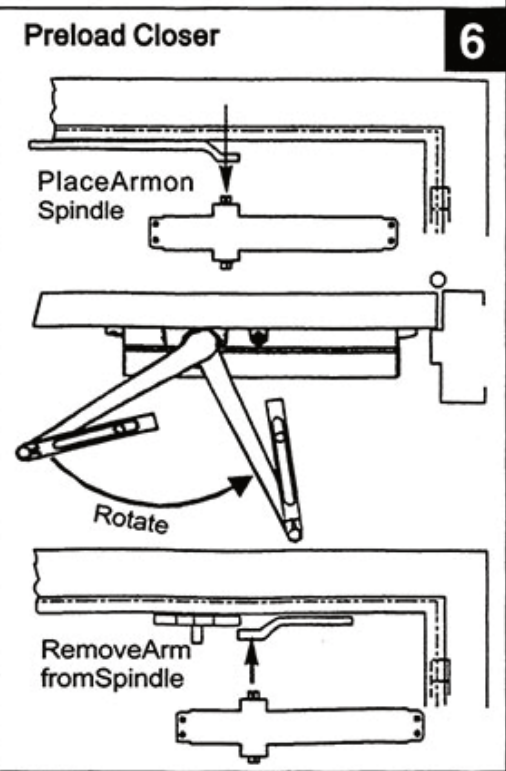
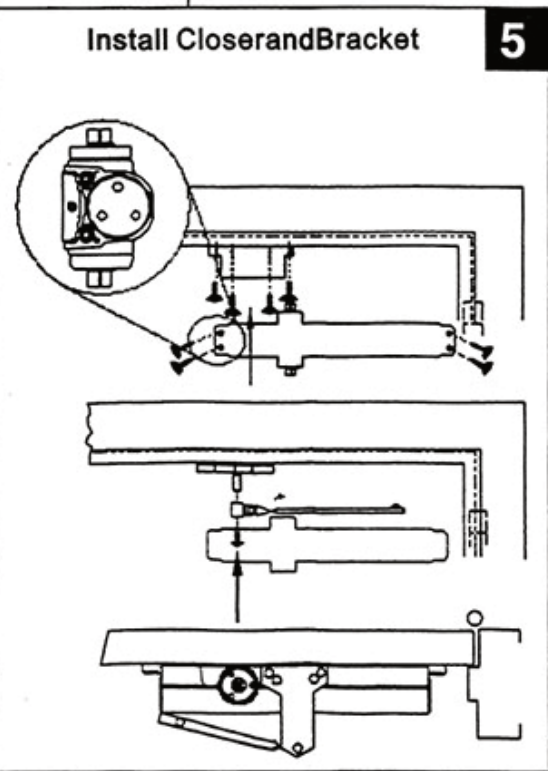
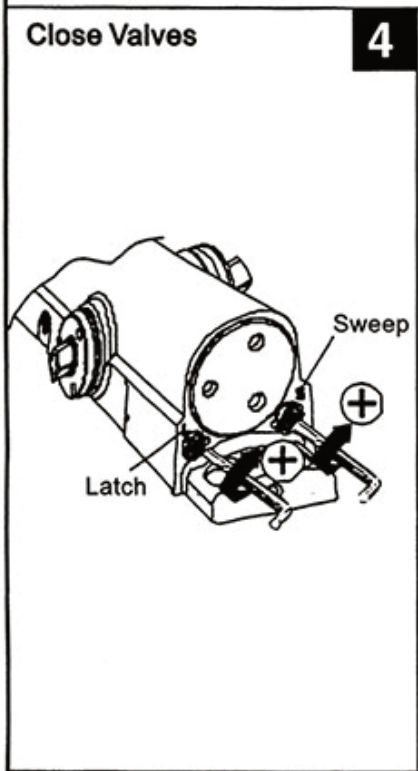
Non Hold Open Door Closers — Parallel Arm



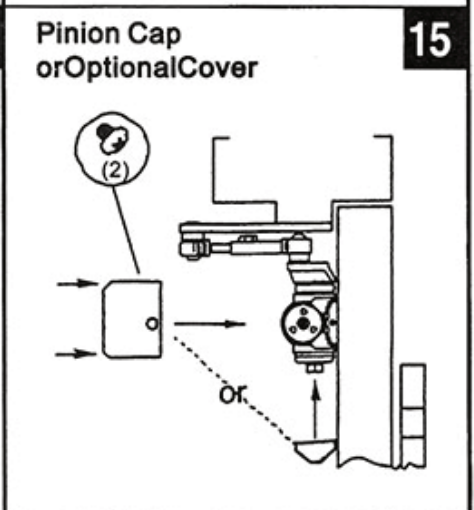
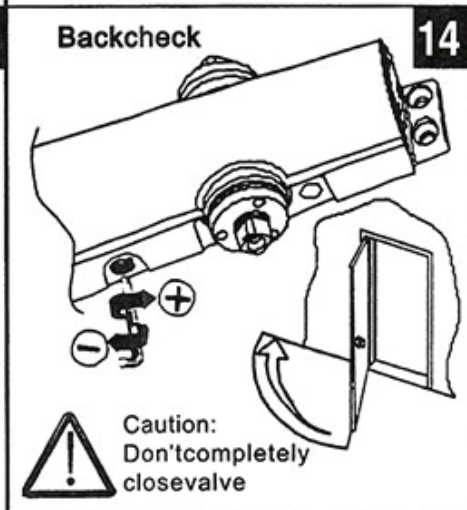
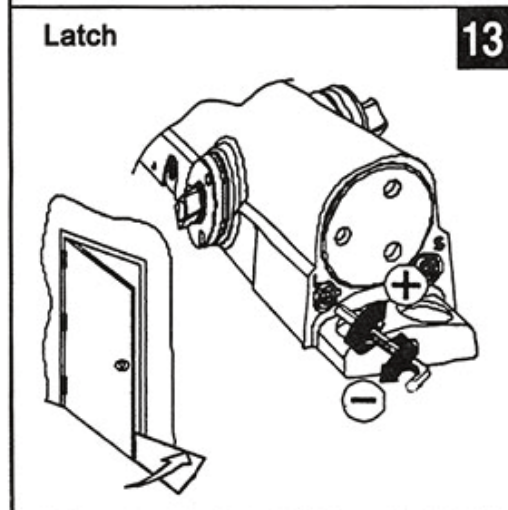
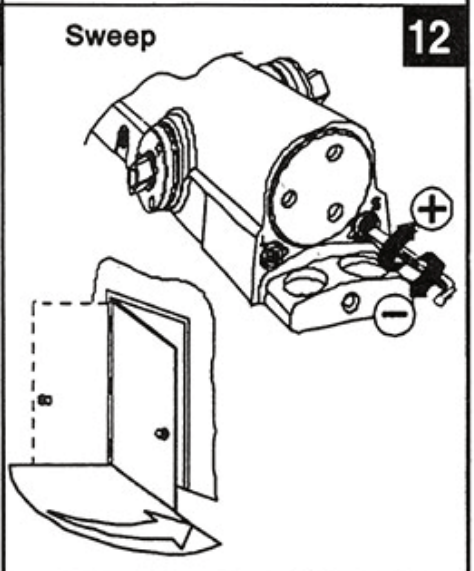
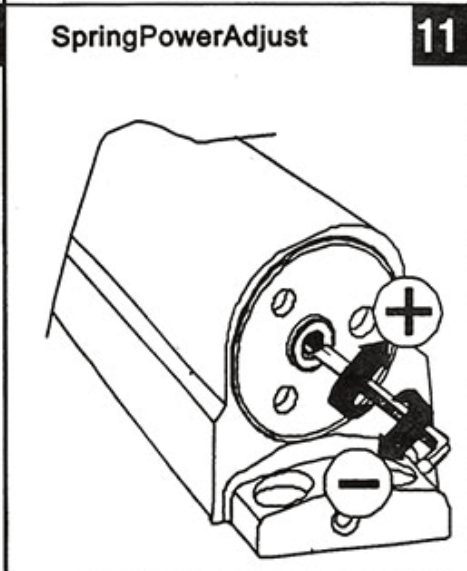
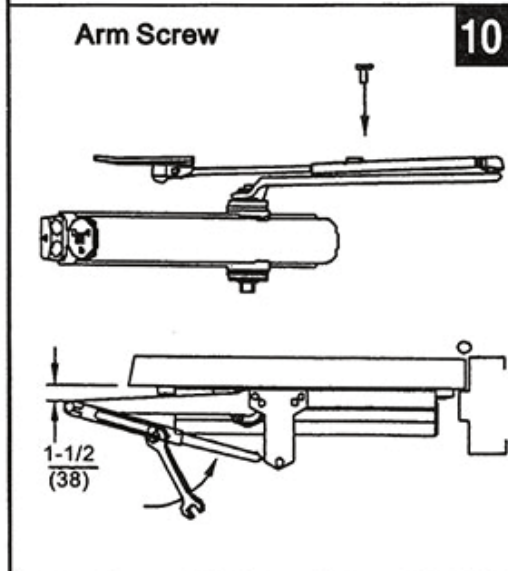
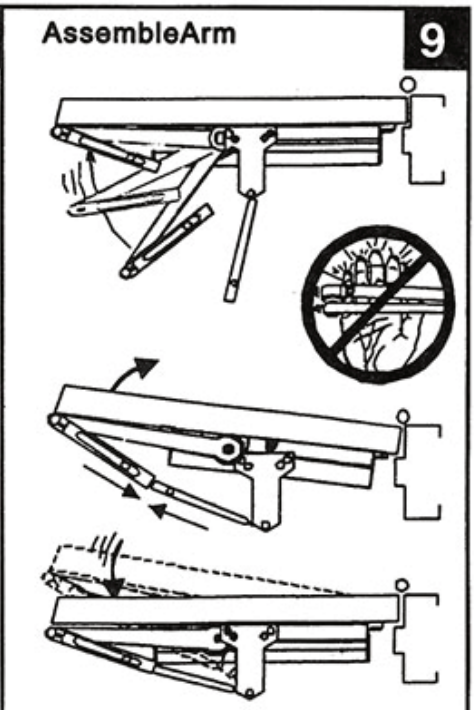
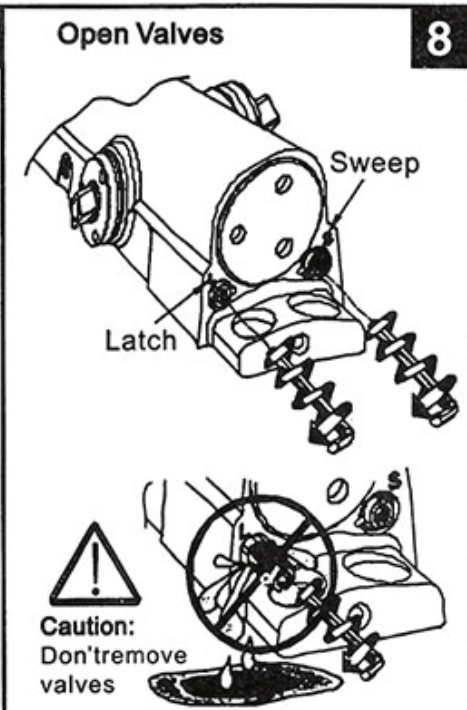
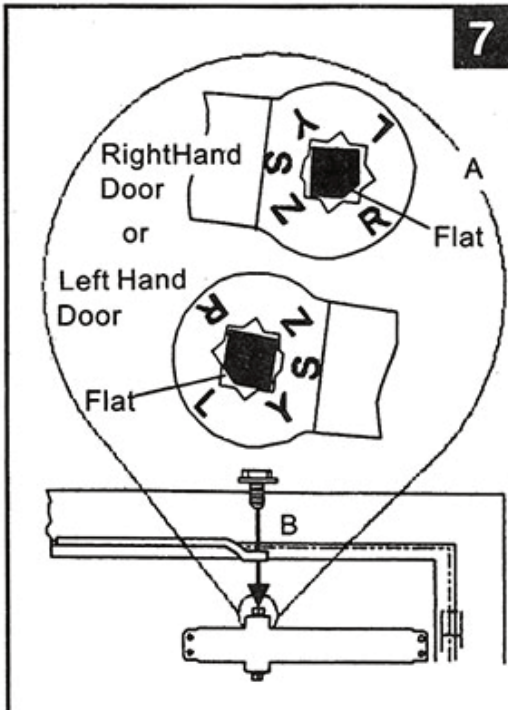
Inches
(mm)

* Door/Wall/Hardware/Jamb conditions permitting

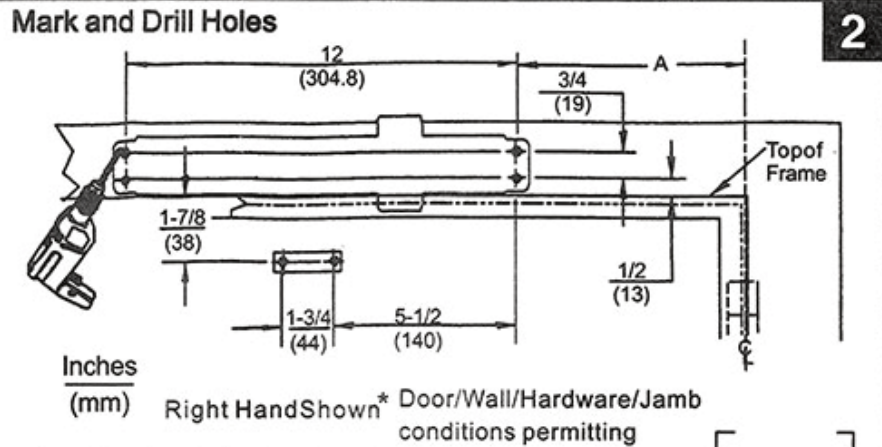
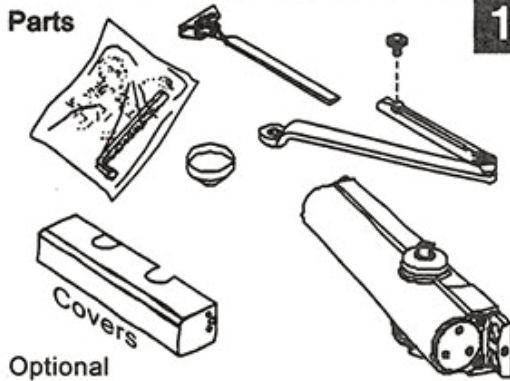
| Door Opening | A | B |
|--------------|-------------|------------|
| To 120° | 9-1/2 (241) | 3-3/4 (95) |
| *121 to 180° | 7 (178) | 1-1/4 (32) |



Non Hold Open Door Closers — Parallel Arm

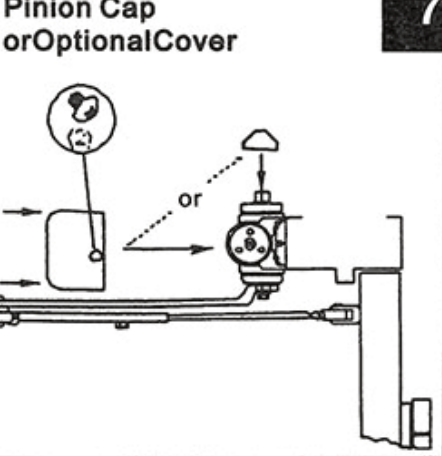
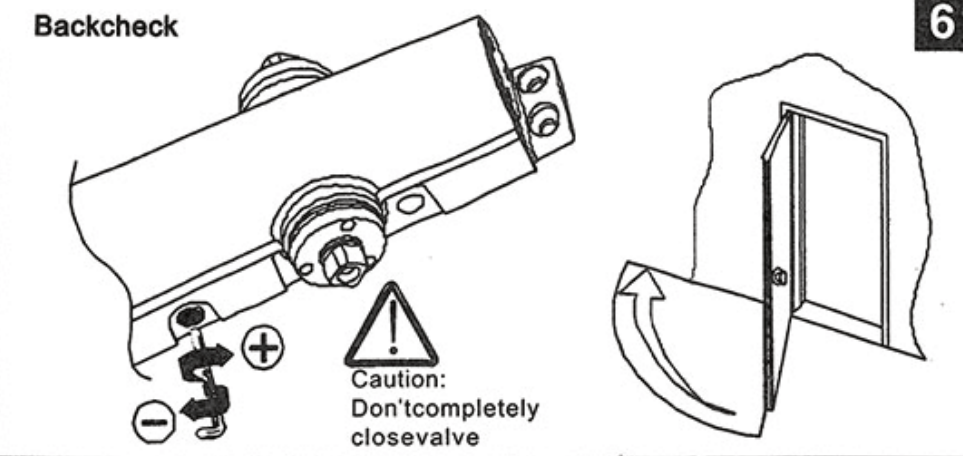
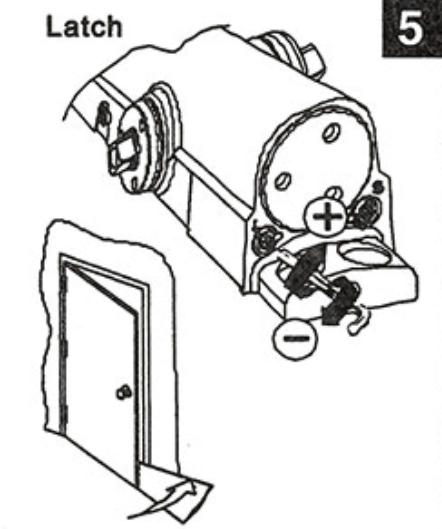
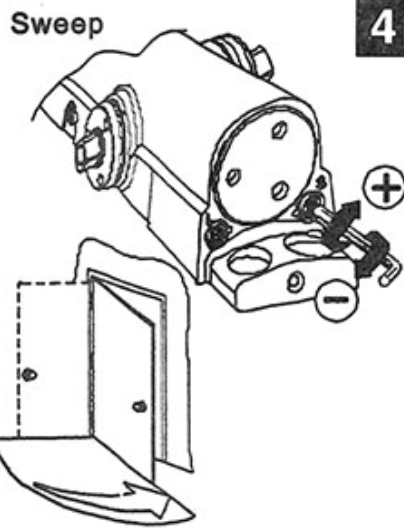
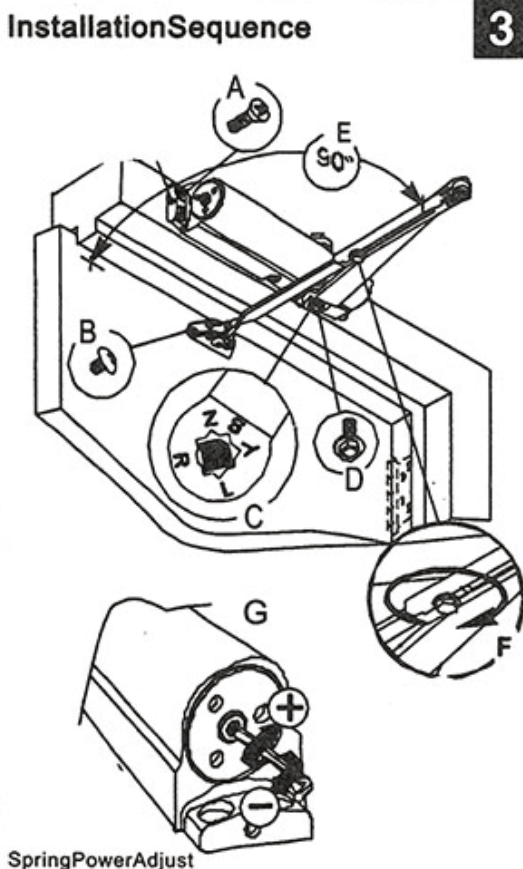
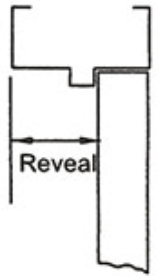


Non Hold Open Door Closers — Top Jamb Arm



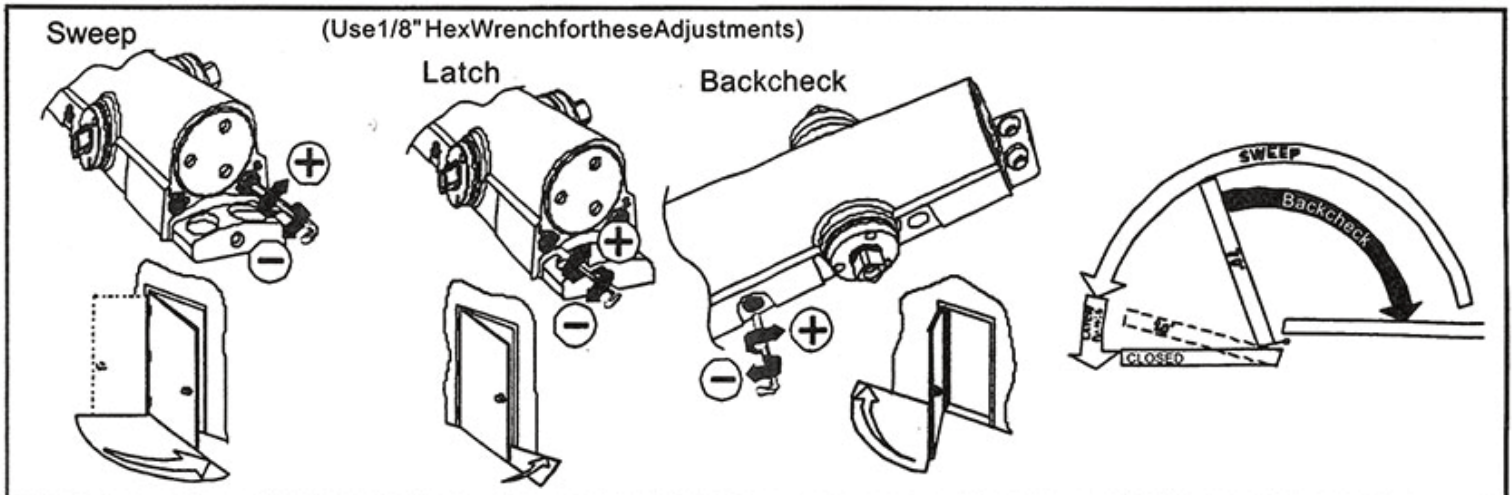
| Opening | Dimension "A" |
|--------------|---------------|
| To 100° | 7-1/2 (191) |
| 101° to 130° | 6 (152) |
| 131° to 180° | 4-1/2 (114) |

Alonger connecting rod is required for reveals greater than 3 (76)

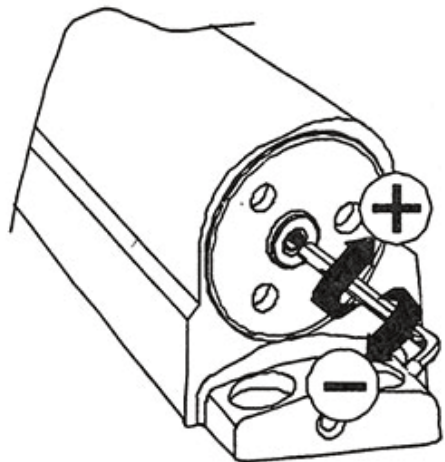


Adjustments Page

800.433.4047 | tellmfg.com



Spring Power Adjust



(Use 1/8 Hex Wrench for this Adjustment)

POWER ADJUSTMENT CHART

| MAXIMUM DOOR WIDTH | | FULL TURNS REQUIRED |
|--------------------|----------------|---------------------|
| EXTERIOR DOORS | INTERIOR DOORS | |
| — | 5lb-f* | 5 TURNS C.C.W. |
| 8.5lb-f* | 34"(864) | 3 TURNS C.C.W. |
| 30"(762) | 38"(962) | 0 TURNS |
| 36"(914) | 48"(1219) | 5 TURNS C.W. |
| 42"(1067) | 54"(1372) | 10 TURNS C.W. |
| 48"(1291) | 60"(1542) | 15 TURNS C.W. |

*15 Full (360°) turns maximum available
Closer was set down as size 3 from the factory originally.

Arm Placement in Shoe

