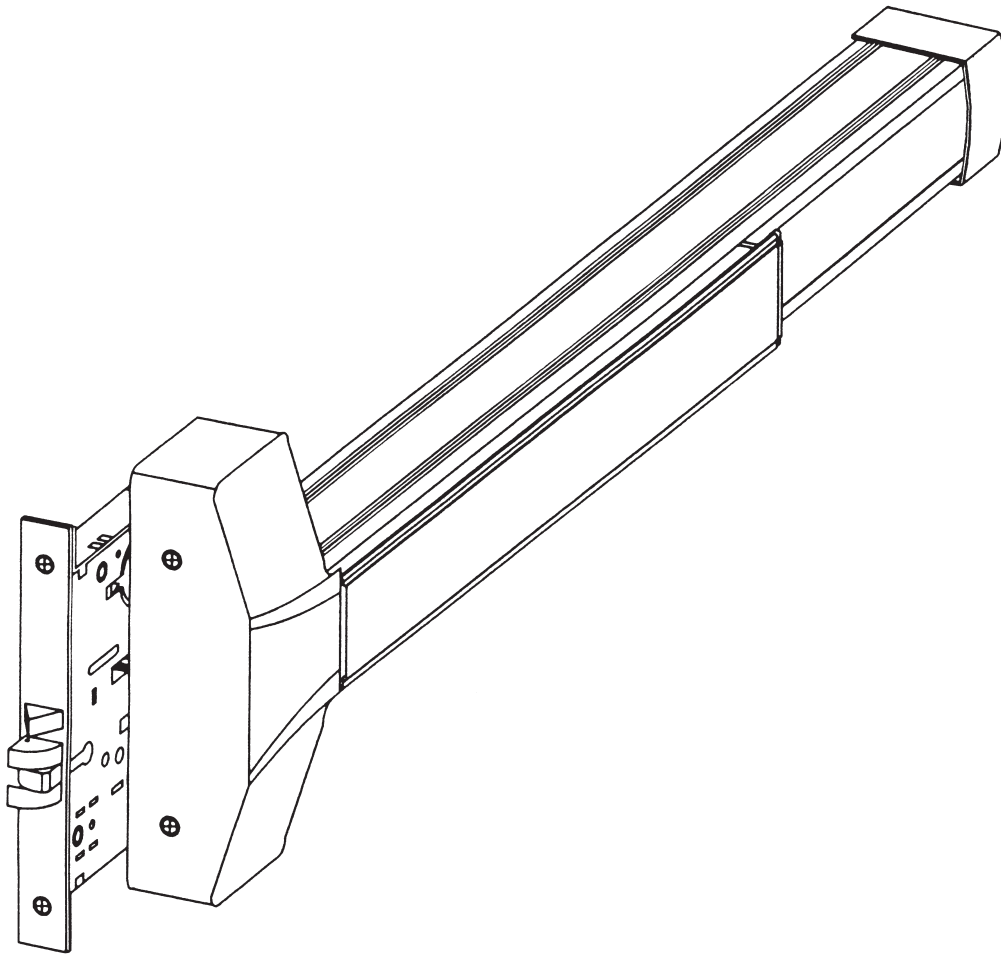




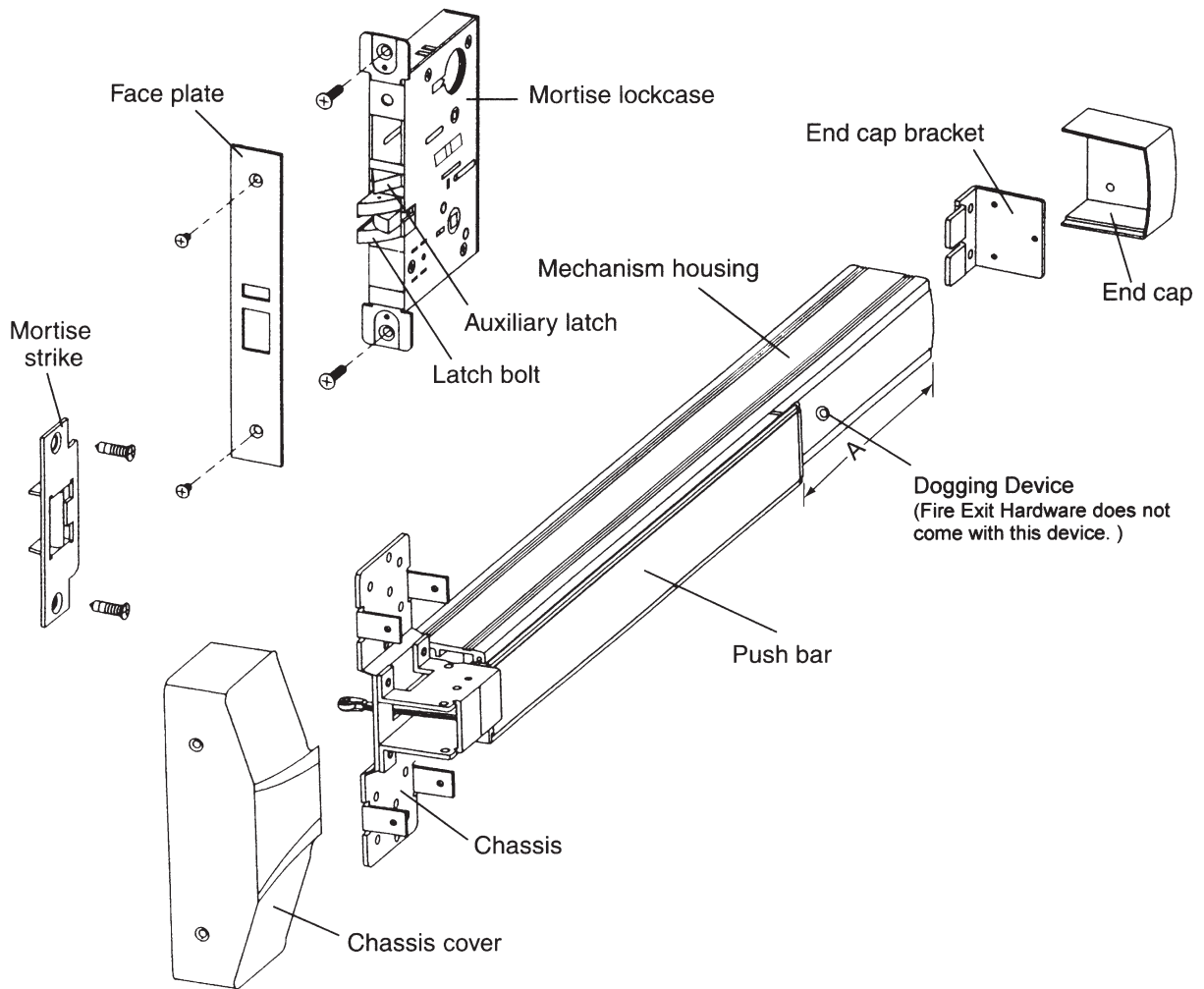
REVERSIBLE PANIC / FIRE EXIT MORTISE LOCK DEVICES



These instructions are presented in step by step sequence.
Attach templates to tape to your door and frame as an aid
to prepare for device mounting.

Please read it thoroughly before installation.

DESIGNATION OF PARTS



STEP 1: DOOR PREPARATION

1. Mark a center line of the exit device by drawing a horizontal line across the door, door edge and jamb 40" above the finished floor (see Figure 1-1).
2. Align the center line of the exit device on template with marked line on the door, then tape template to the door and jamb (see Figure 1-2).

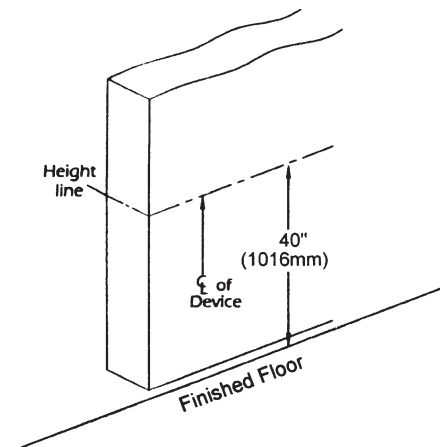


Figure 1-1

STEP 1: DOOR PREP -Continued

3. Mark mounting holes for the device chassis, and make a cut-out for the Pull Finger and mortise cut-out for the lock case as per template.
4. For thicker door use, if it is over 1-3/4" (44.5 mm) thickness, mark a vertical center line of the lock case on the door edge and be sure to keep 7/8" (22.5 mm) distance between the vertical center line and door edge of push side of the door (see Figure 1-3).

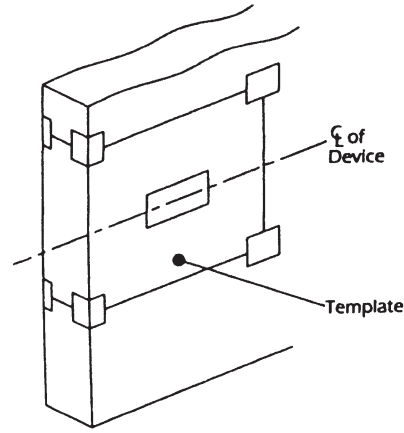


Figure 1-2

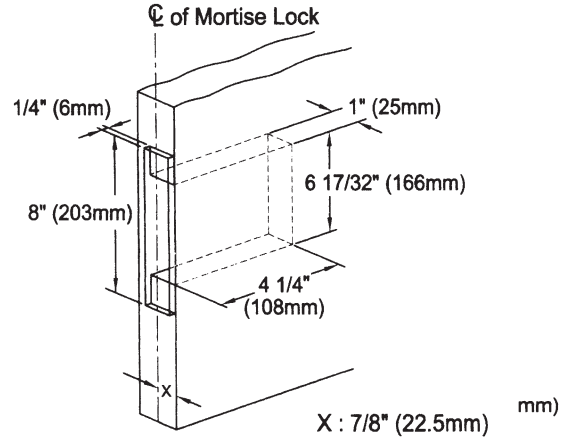


Figure 1-3

STEP 2: INSTALL STRIKE

1. Mark a horizontal center line of the mortise lock on the jamb of the single door or on the inactive door edge of the double door as per the exit device template.
2. Align the strike template on the jamb or the inactive door edge. Be sure to keep 5/8" (16 mm) distance between the lock center line and the strike center line. Mortise latch bolt hole on the jamb or the inactive door edge according to measurement of the strike template, & 1-1/8" (28 mm) deep. Recess 1/8" (3 mm) for flush fit of the strike. (See Figure 2-1 and Figure 2-2).
3. Place strike into the jamb or the door edge, then secure with the supplied screws.

Note: A plain strike should be used on the inactive door edge if the double door with overlapping astragal.

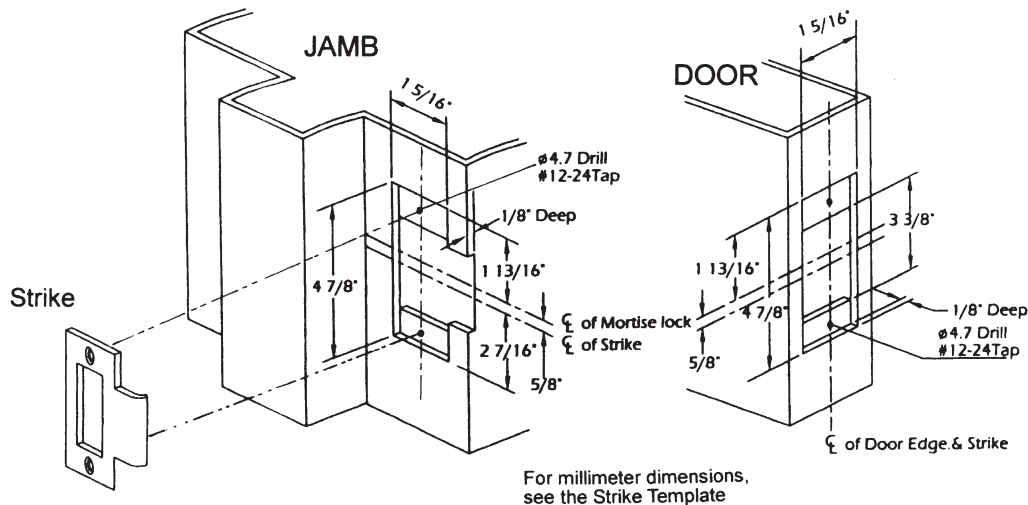


Figure 2-1

Figure 2-2

STEP 3: SET LOCK HANDING

A) Set the lock for proper handing to match door hand.

1. Change latchbolt handing

If the hand of latch bolt does not match door hand, remove the latch fixing screw and pull latch bolt out from the lock case, then turn complete unit having the bevel of latch bolt to reverse door handing. Position latch bolt back and fasten it (see Figure 3-1 and Figure 3-2).

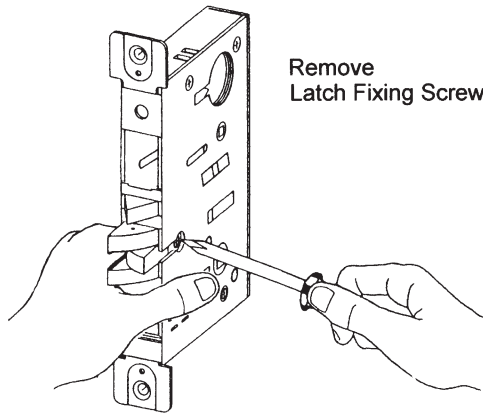


Figure 3-1

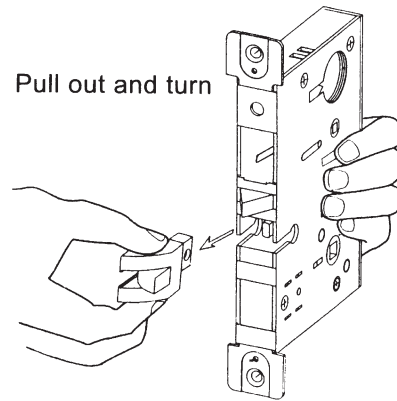


Figure 3-2

2. Set outside handing of lock case

There is two catch screws of lock hand on both sides of lock case. Take a catch screw out from one side of the lock case which is going to face outside of the door. And another catch screw must stay on the opposite side of the lock case (see Figure 3-3).

*For RH and RHRB:

The catch screw is on the lock case side.

*For LH and LHRB:

The catch screw is on the lock case cover side.

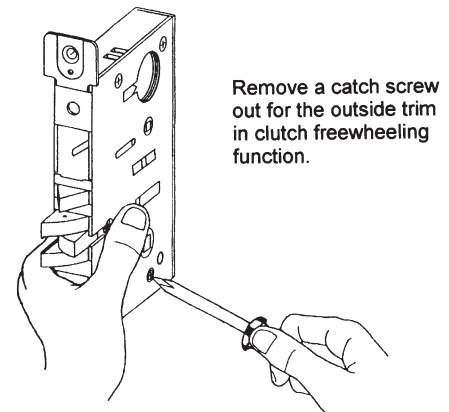
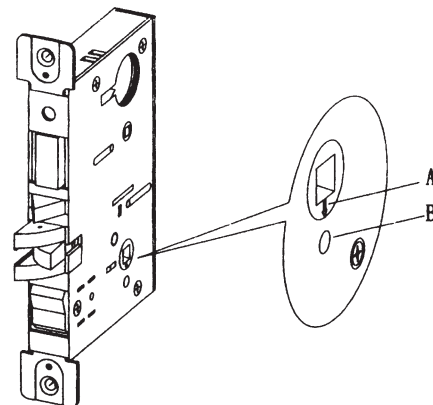


Figure 3-3

B) Check the hub of the lock case if it is seated at the position as same as the following arrow mark " A " which is vertically pointed to " B " hole direction. If yes, to proceed next steps. If not, adjust it to the right position.



STEP 4: INSTALL LOCK CASE

Insert lock case into mortise cut-out and fasten with two flat head screws to door (see Figure 4).

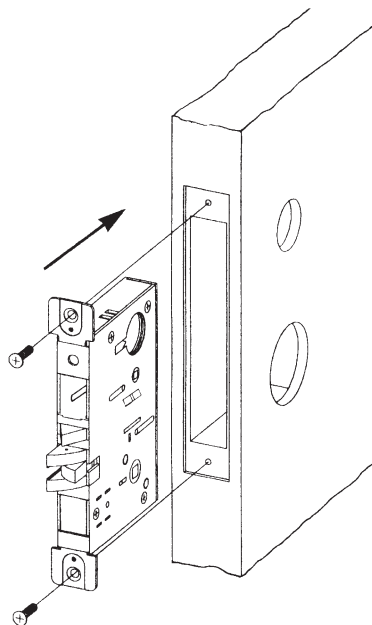


Figure 4

STEP 5: INSTALL EXIT DEVICE

1. Remove chassis cover from the exit device and remove end cap from end cap bracket.
2. Hold the exit device up against the door. Insert the Pull Finger on the device chassis into the slot on the door and the lock case (see Figure 5-1), and make sure Pull Finger does not rub on the edges of the cutouts. Mount the exit device to the door with the supplied screws (see Figure 5-2).
3. Place end cap bracket as a template, mark mounting holes through end cap bracket after the exit device is level. Then, drill/tap holes and install end cap bracket on the door.
4. Check the exit device for correct operation:
 - A. Depress push bar, latch bolt must be retracted and flush with the front of lock case.
 - B. Release push bar, latch bolt is fully projected into the strike hole smoothly.
5. Tighten all screws and bolts one more time if the exit device operation check is done.

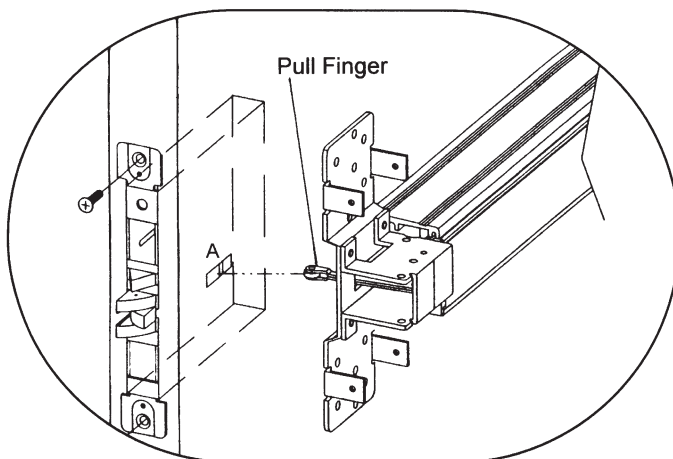


Figure 5-1

Insert Pull Finger into the slot A, which should be cut out on the door by step 1.

STEP 5: INSTALL EXIT DEVICE - Continued

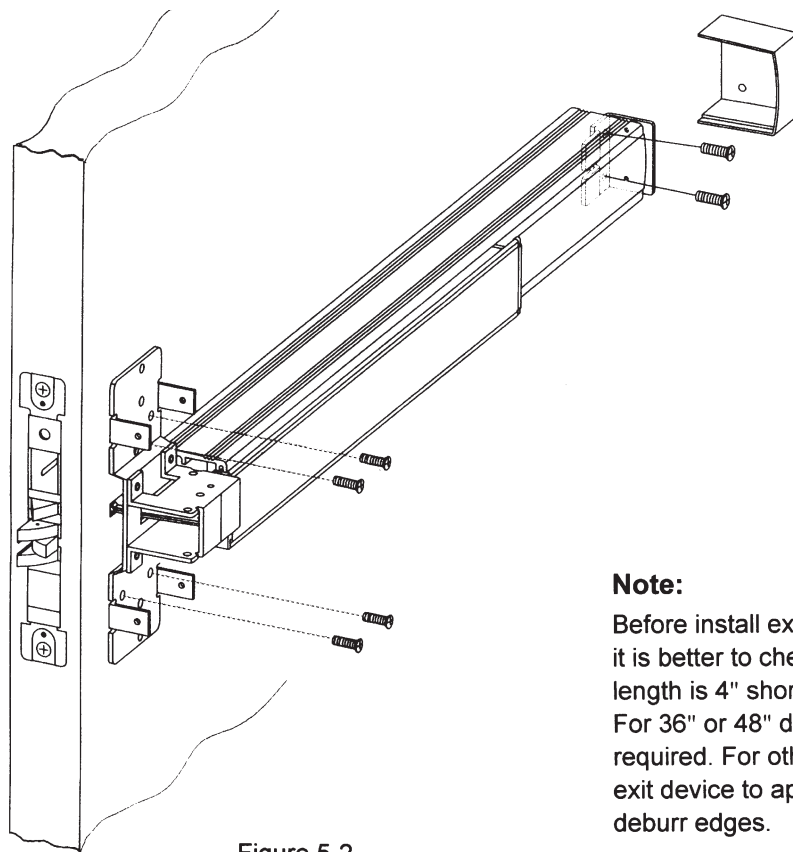


Figure 5-2

Note:

Before install exit device on the door, it is better to check if the exit device length is 4" shorter than door width. For 36" or 48" door width, no cutting required. For other door widths, cut exit device to appropriate length and deburr edges.

STEP 6: INSTALL OUTSIDE TRIM

1. Make sure the direction of outside trim to be installed that corresponds with the door handing. Place the spring cage onto ferrules with arrow pointing in direction of lever rotation. If it is not oriented correctly, turn the spring cage 180° (see Figure 6-1).

Note:

This step is suitable for Cylinder Escutcheon and Blank Escutcheon functions only. There is no spring cage for Night Latch Escutcheon and Dummy Escutcheon, so skip this step of installing spring cage for these two function trims.

2. Insert spindle into the hub of the spring cage on the outside trim (see Figure 6-2).

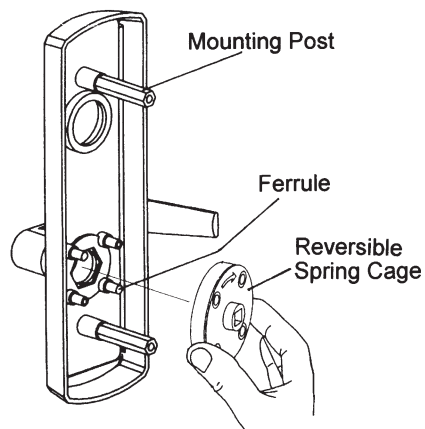


Figure 6-1

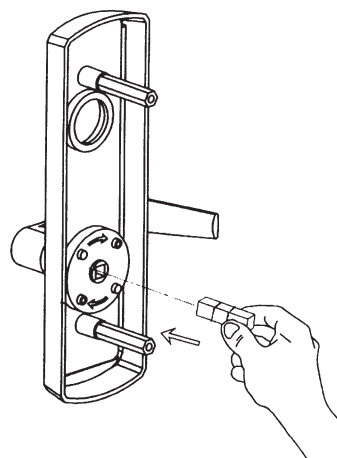


Figure 6-2

STEP 6: INSTALL OUTSIDE TRIM - Continued

3. Install the outside trim with mounting posts through the door and position spindle into the hub of the lock case (see Figure 6-3).
4. Mount two long screws through device chassis into the two mounting posts of the outside trim (see Figure 6-4).

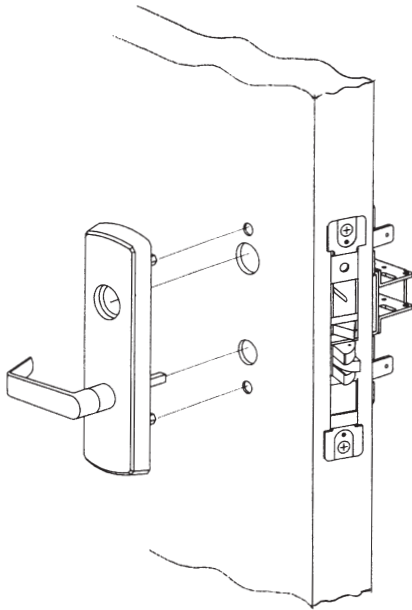


Figure 6-3

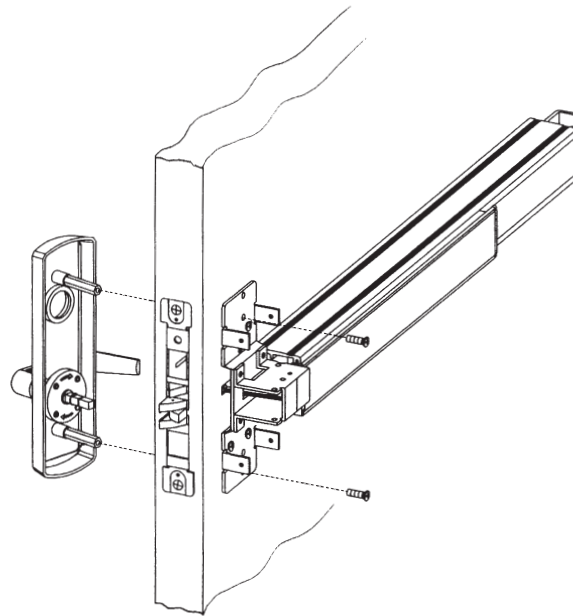


Figure 6-4

STEP 7: INSTALL MORTISE CYLINDER AND ARMOR FACEPLATE

1. Loosen the cylinder retaining screw to allow the mortise cylinder to be threaded into the lock case by inserting a flat tip screwdriver in the hole on the lock case. Put the mortise cylinder into the trim and screw the cylinder into threaded hole of the lock case. The keyway must end up on the bottom of the cylinder housing. Secure the cylinder by tightening the cylinder retaining screw (see Figure 7-1).
2. Install the armor faceplate onto the lock case with supplied screws (see Figure 7-2).

Mortise Cylinder
Length: 1-1/2" (38mm)

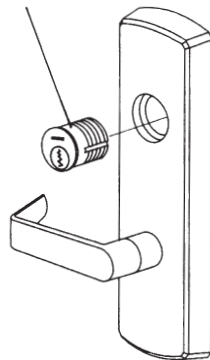


Figure 7-1

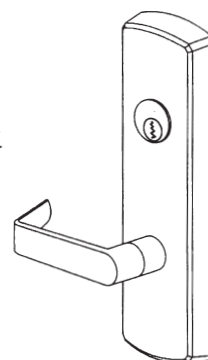
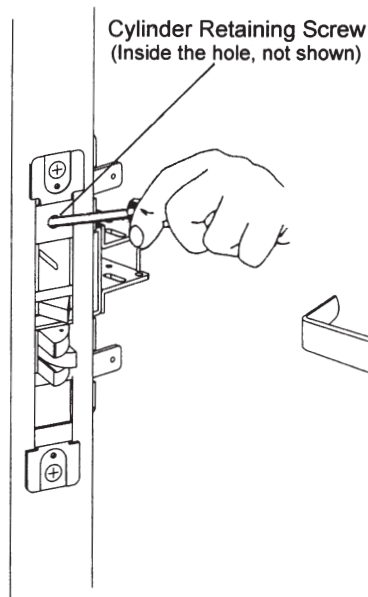
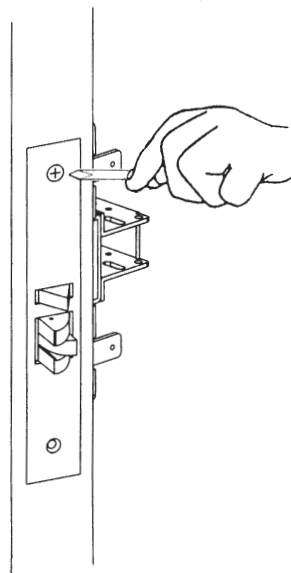
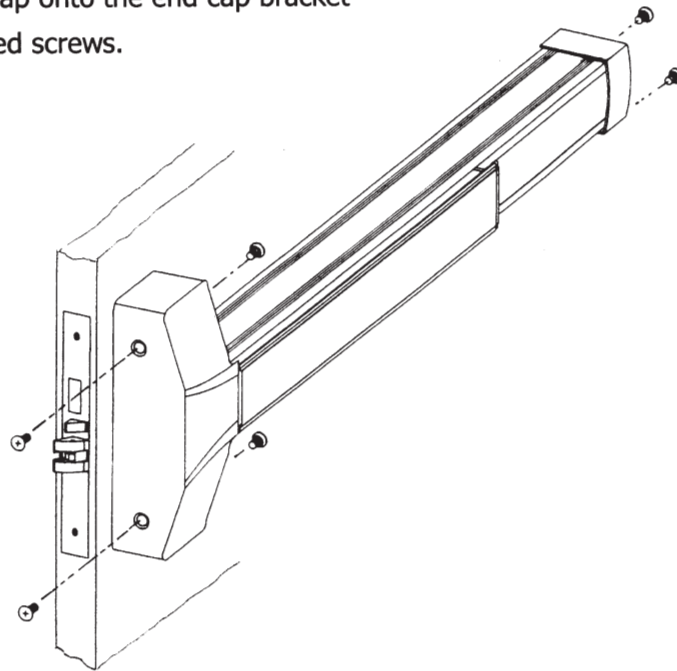


Figure 7-2



STEP 8: INSTALL COVERS

Install chassis cover onto the chassis assembly and install end cap onto the end cap bracket using the supplied screws.



STEP 9: DOGGING DEVICE

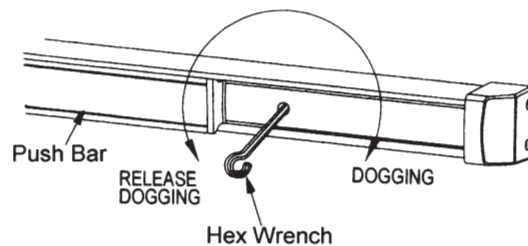
Dogging device during high traffic period of the day will greatly extend life of this device. (A dogging device is not available on fire rated models as fire door must remain closed and latched.)

Dogging:

Depress push bar, insert dogging hex wrench, and turn clockwise 30 degrees. The push bar will remain depressed and the latch will stay retracted.

Release Dogging:

Hold push bar, insert dogging hex wrench, and turn counterclockwise 30 degrees. The push bar will return to up position and latch will extend to lock door.



DOOR HANDING

Use this diagram to determine the hand of door.

