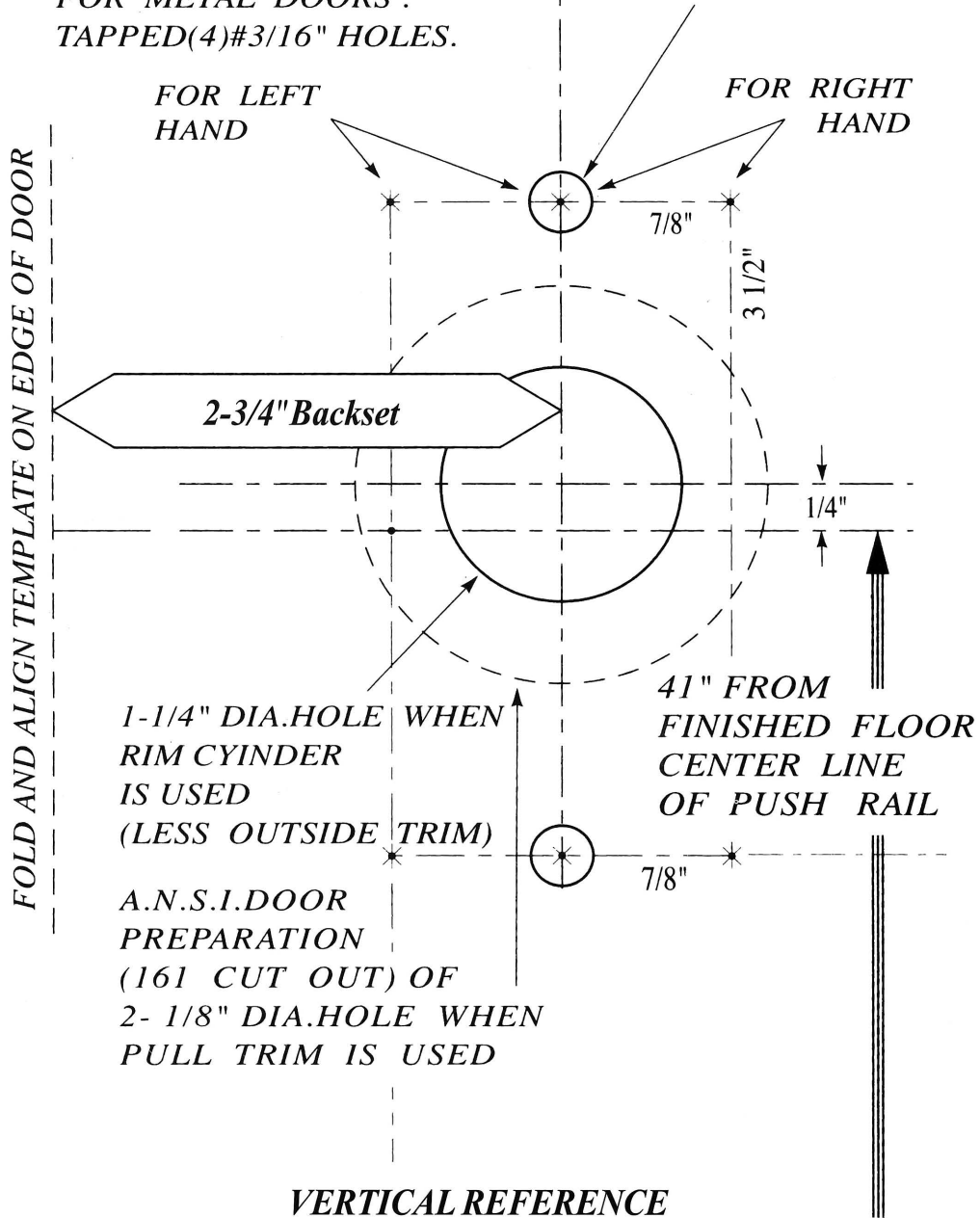


# TEMPLATE for CTL Lever Trim & EMP Ball Knob Trim WITH PLATE

Page 1 of 2

FOR WOOD DOORS :  
DRILL(4) 3/32" DIA.X 1-1/4"  
DEEP PILOT HOLES  
FOR METAL DOORS :  
TAPPED(4)#3/16" HOLES.

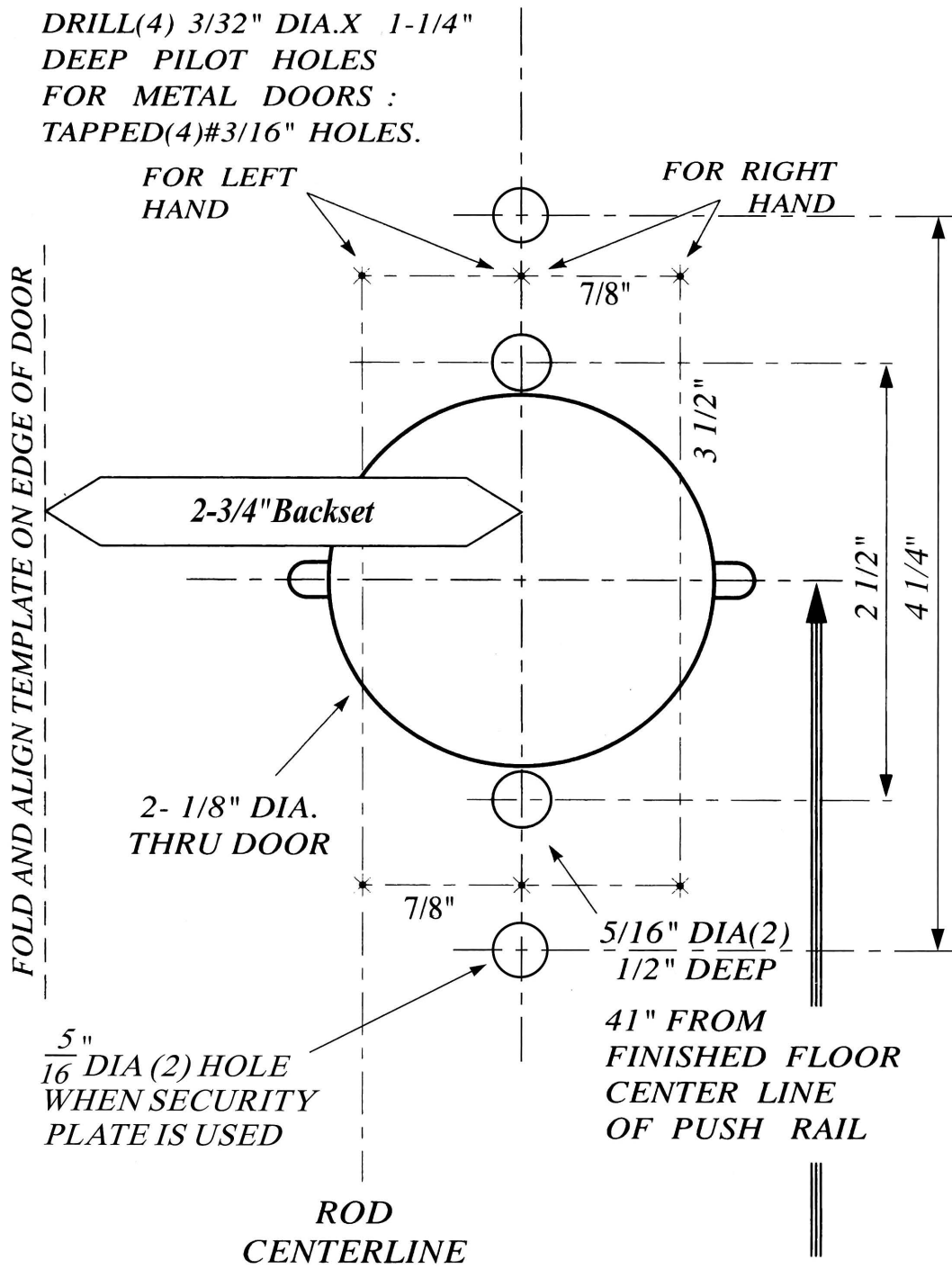
FOR THRU-BOLTING:  
DRILL(2)3/8" DIA.HOLES  
THRU DOOR



# TEMPLATE for CTL Lever Trim & EMP Ball Knob Trim WITH PLATE

Page 2 of 2

FOR WOOD DOORS :  
DRILL(4) 3/32" DIA.X 1-1/4"  
DEEP PILOT HOLES  
FOR METAL DOORS :  
TAPPED(4)#3/16" HOLES.



① FOR REFERENCE LINES REFER TO INSTRUCTION SHEET