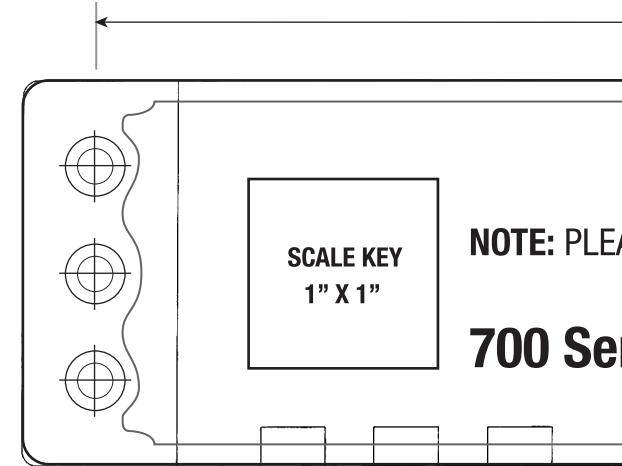
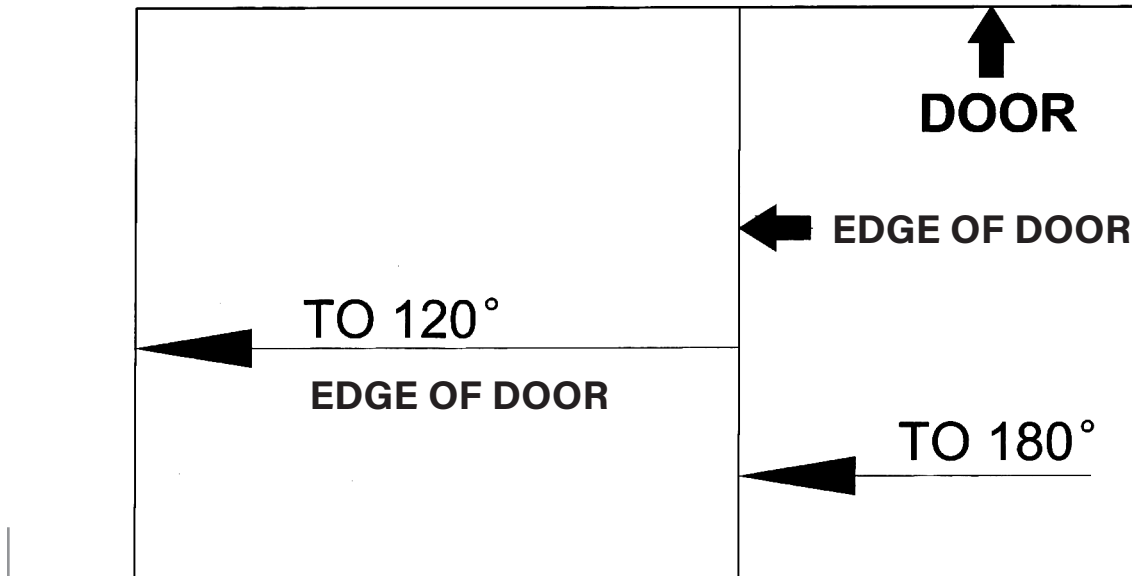


[FOR RIGHT HAND DOOR - FLIP TEMPLATE]



**UPPER FRAME**



**PRINT TEMPLATE AT 100% ON 8 1/2" X 11" PAPER - LANDSCAPE**

