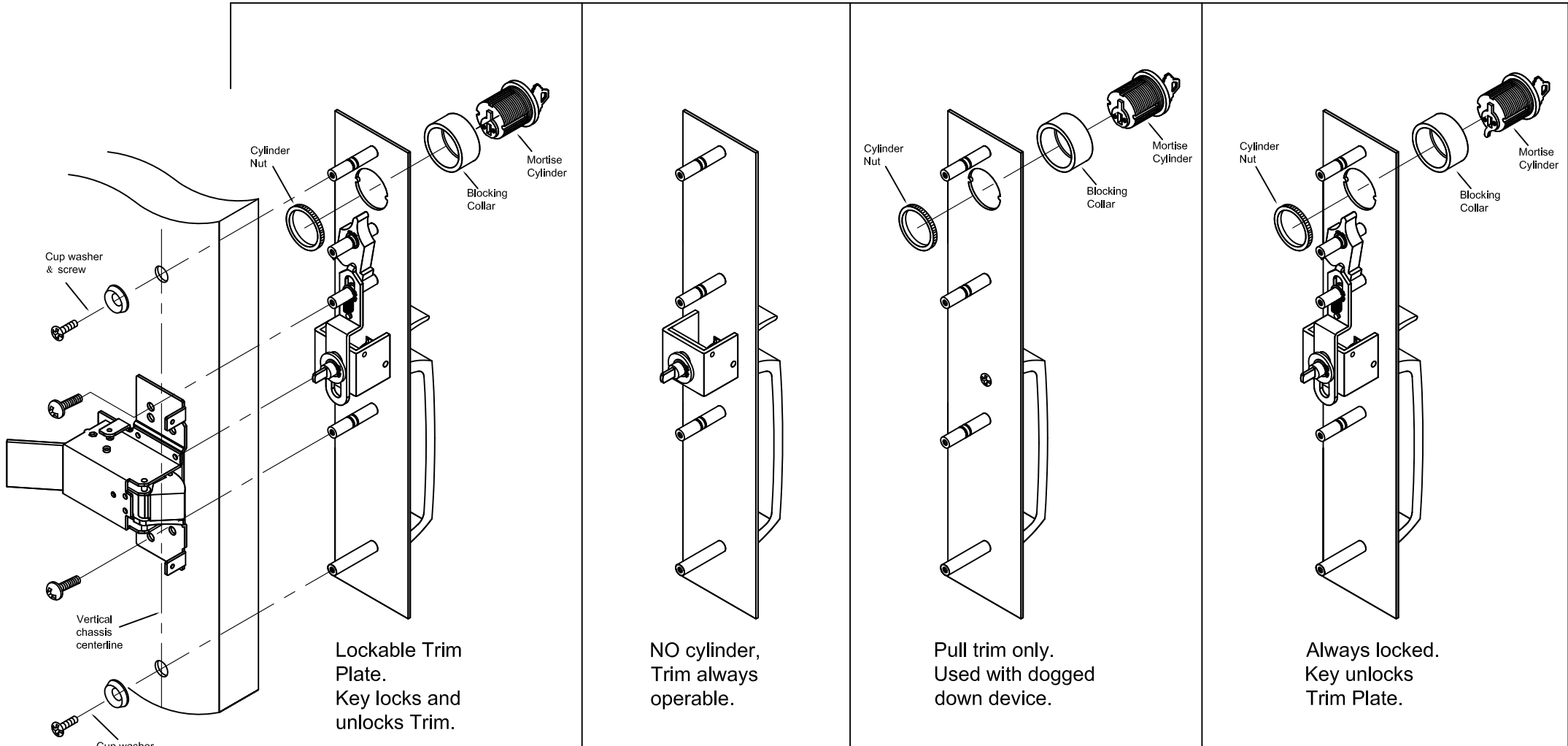


# INSTRUCTIONS FOR SERIES THUMBPIECE TRIM

## Series Rim and Vertical Rod Device



**Lockable Trim Plate.**  
Key locks and unlocks Trim.

**NO cylinder,**  
Trim always operable.

**Pull trim only.**  
Used with dogged down device.

**Always locked.**  
Key unlocks Trim Plate.

**13 function**  
**Entrance**

**15 function**  
**Passage**

**10 function**  
**Dummy**

**04 function**  
**Storeroom**

ATTACH THE COLLAR AND MORTISE CYLINDER TO THE TRIM PLATE WITH THE MORTISE NUT.  
ATTACH TRIM TO DOOR THRU BOLTING (2) SCREWS TO THE CHASSIS & THE (2) CUP WASHERS AND SCREWS AT THE TOP & BOTTOM TO THE DOOR.

ATTACH TRIM TO DOOR THRU BOLTING THE (2) SCREWS TO THE CHASSIS & (2) CUP WASHERS AND SCREWS AT THE TOP & BOTTOM TO THE DOOR.

ATTACH TRIM TO DOOR THRU BOLTING THE (2) SCREWS TO THE CHASSIS & (2) CUP WASHERS AND SCREWS AT THE TOP & BOTTOM TO THE DOOR.

ATTACH THE COLLAR AND MORTISE CYLINDER TO THE TRIM PLATE WITH THE MORTISE NUT.  
ATTACH TRIM TO DOOR THRU BOLTING (2) SCREWS TO THE CHASSIS & THE (2) CUP WASHERS AND SCREWS AT THE TOP & BOTTOM TO THE DOOR.