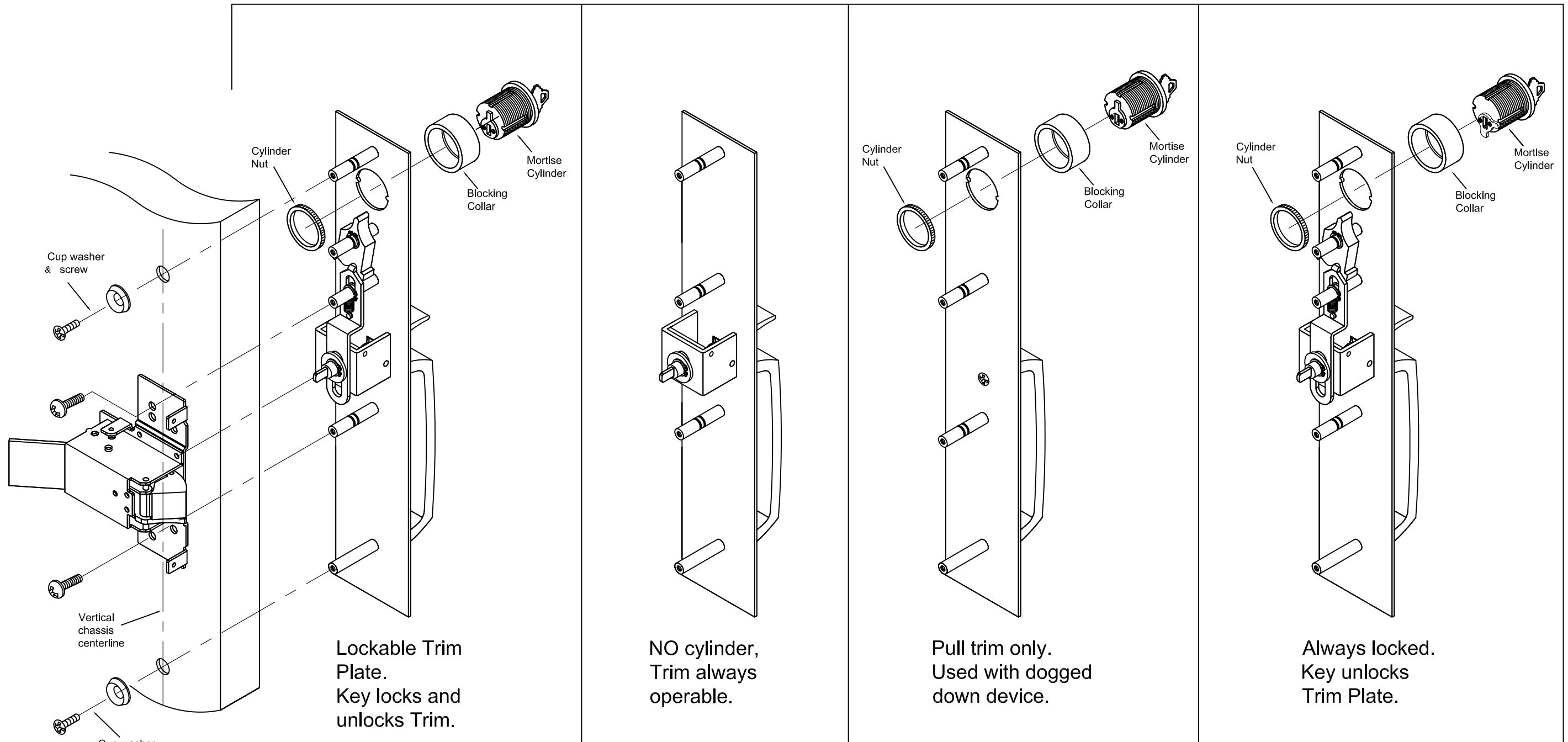


INSTALLATION INSTRUCTIONS for THUMBPIECE TRIM FOR 8300 & 8400, 9400 & 9500 SERIES EXIT DEVICES

Page 1 of 1



Lockable Trim Plate.
Key locks and unlocks Trim.

NO cylinder,
Trim always operable.

Pull trim only.
Used with dogged down device.

Always locked.
Key unlocks Trim Plate.

**13 function
Entrance**

**15 function
Passage**

**10 function
Dummy**

**04 function
Storeroom**

ATTACH THE COLLAR AND MORTISE CYLINDER TO THE TRIM PLATE WITH THE MORTISE NUT.
ATTACH TRIM TO DOOR THRU BOLTING (2) SCREWS TO THE CHASSIS & THE (2) CUP WASHERS AND SCREWS AT THE TOP & BOTTOM TO THE DOOR.

ATTACH TRIM TO DOOR THRU BOLTING THE (2) SCREWS TO THE CHASSIS & (2) CUP WASHERS AND SCREWS AT THE TOP & BOTTOM TO THE DOOR.

ATTACH TRIM TO DOOR THRU BOLTING THE (2) SCREWS TO THE CHASSIS & (2) CUP WASHERS AND SCREWS AT THE TOP & BOTTOM TO THE DOOR.

ATTACH THE COLLAR AND MORTISE CYLINDER TO THE TRIM PLATE WITH THE MORTISE NUT.
ATTACH TRIM TO DOOR THRU BOLTING (2) SCREWS TO THE CHASSIS & THE (2) CUP WASHERS AND SCREWS AT THE TOP & BOTTOM TO THE DOOR.