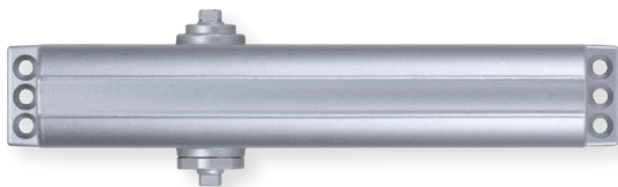


Heavy-Duty Commercial Grade 1 Surface Applied Closer

DC700 SERIES



FEATURES

- | | |
|-------------------------|--|
| Performance | <ul style="list-style-type: none"> Complies with ANSI A156.4 Grade 1 2,000,000 cycles UL/ULC listed up to 3 hours fire rated |
| Chassis/Closer | <ul style="list-style-type: none"> Cast aluminum |
| Handing | <ul style="list-style-type: none"> Non-handed |
| Mounting | <ul style="list-style-type: none"> Tri-Pack — regular, top jamb and parallel arm applications. |
| Main Arm | <ul style="list-style-type: none"> Forged steel Accommodates reveals up to 3 1/4" Adjustable extension arm |
| Spring Power | <ul style="list-style-type: none"> Adjustable 1 - 6 sizes |
| Backcheck | <ul style="list-style-type: none"> Adjustable Hydraulic - providing cushioning and preventing uncontrolled openings of the door |
| Valves | <ul style="list-style-type: none"> Adjustable Independent Non-critical (sweep and latch), consistent closing speeds |
| Fasteners | <ul style="list-style-type: none"> Metal screws included for hollow metal and aluminum mounting applications. Wood screws included for wood door mounting applications. Closers are packed with thru-bolts. |
| Door Range | <ul style="list-style-type: none"> Up to 180 degrees |
| Door Preparation | <ul style="list-style-type: none"> 1 1/8" horizontal x 9/16" vertical 6-Hole mounting locations Retrofits traditional closer |
| Cover | <ul style="list-style-type: none"> High impact plastic streamlined cover |
| Warranty | <ul style="list-style-type: none"> Lifetime limited |

DC700 SERIES

DOOR SIZING

Regular and Top Jamb Installation

CLOSER	DOOR TYPE	DOOR WIDTH						
		2' min	2.5' max	3' max	3.5' max	4' max	4.5' max	5' max
716	Interior	✓	✓	♿	✓	✓	✓	✓
	Exterior	✓	✓	♿	✓	✓	✓	N/A

Parallel Arm Installation

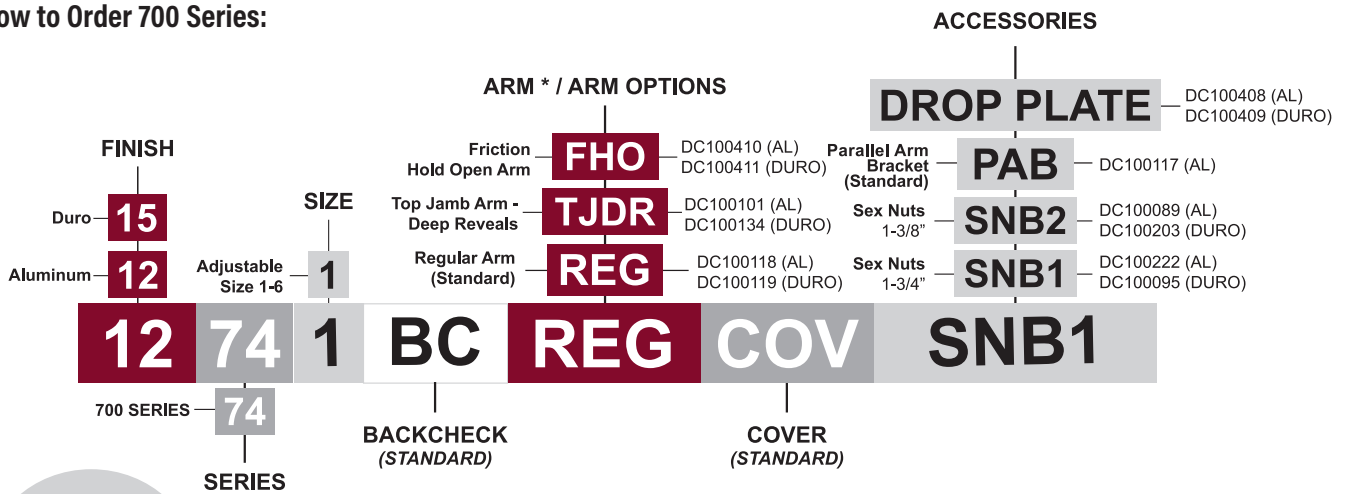
CLOSER	DOOR TYPE	DOOR WIDTH						
		2' min	2.5' max	3' max	3.5' max	4' max	4.5' max	5' max
716PA	Interior	✓	✓	♿	✓	✓	✓	N/A
	Exterior	✓	✓	♿	✓	✓	N/A	N/A

✓ = Recommended

N/A = Not applicable or recommended

♿ = Opening force 5 lbs. on interior and 8.5 lbs. on exterior

How to Order 700 Series:



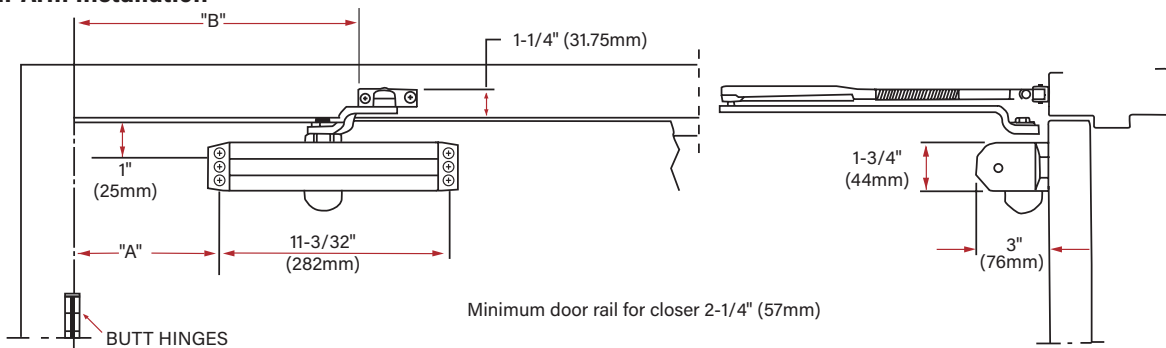
* **TRI-PACK, STANDARD=** Regular Arm, Top Jamb Arm 0-3", Parallel Arm Bracket

700 SERIES

Application Drawings

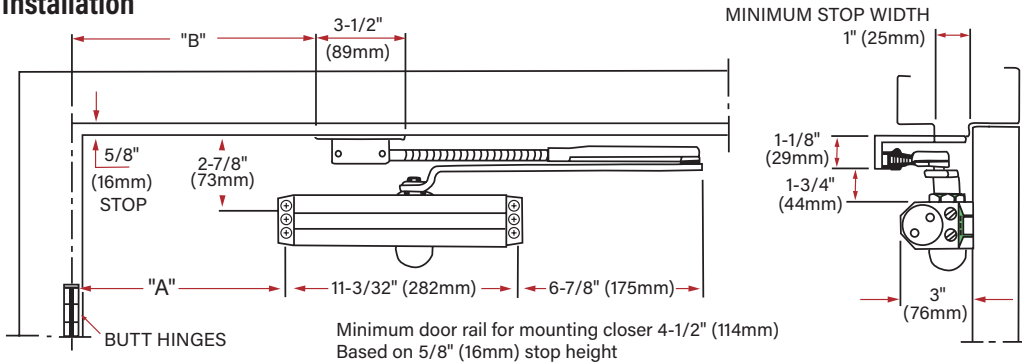
Note: Dimensions shown are inches (millimeters)

Regular Arm Installation



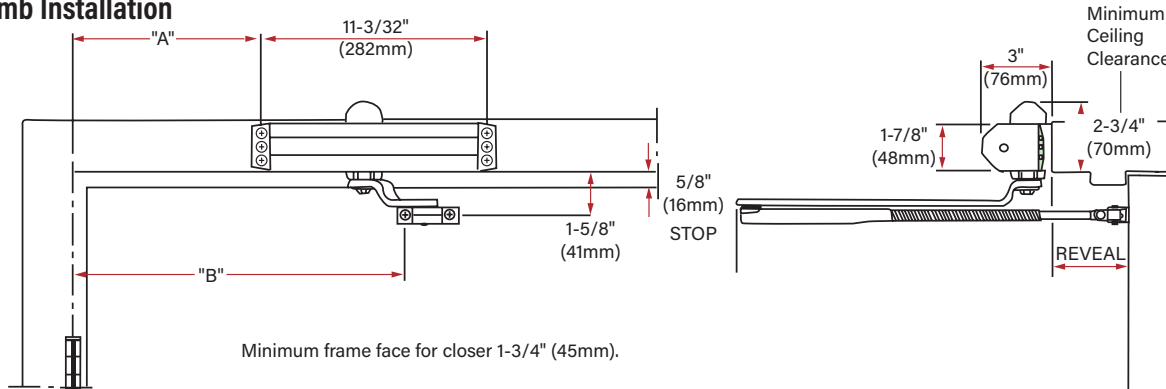
TEMPLATE REFERENCE	DIM "A"	DIM "B"	MAXIMUM OPENING	BACKCHECK RANGE
TO 120°	6 1/4" (159mm)	12" (305mm)	122°	67° - 122°
OVER 120°	4 1/4" (108mm)	10" (254mm)	180°	87° - 180°

Parallel Arm Installation



TEMPLATE REFERENCE	DIM "A"	DIM "B"	MAXIMUM OPENING	BACKCHECK RANGE
TO 120°	5" (127mm)	9 7/8" (251mm)	125°	82° - 124°
OVER 120°	2" (51mm)	5 9/16" (241mm)	180°	95° - 180°

Top Jamb Installation



TEMPLATE REFERENCE	DIM "A"	DIM "B"	MAXIMUM OPENING	BACKCHECK RANGE
TO 120°	6 1/4" (159mm)	12" (305mm)	125°	77° - 125°
OVER 120°	4 1/4" (108mm)	10" (254mm)	180°	93° - 180°

* 2-3/4 maximum Reveal for 180° opening

Note: Dimensions shown are inches / millimeters

700 SERIES

Options & Accessories

Friction Hold Open Arm, (FHO)

DC100410 (AL) | DC100411 (Duro)

Complete hold open arm assembly with forged steel main arm, flat form articulating adjusting arm and rod and shoe. Provides positive single point hold open adjustable from approximately 80 degrees to 135 degrees. PA bracket optional

Top Jamb Arm—Deep Reveals, (TJDR)

DC100101 (AL) | DC100134 (Duro)

Complete arm assembly with forged steel main arm, full articulating adjusting arm and 10mm threaded rod and shoe to accommodate 3-1/4" to 8" reveals.

Regular Arm (Standard)

DC100118 (AL) | DC100119 (Duro)

Complete arm assembly with forged steel main arm, full articulating adjusting arm and 10mm threaded rod and shoe to accommodate 0" to 3-1/4" inch reveals.

Full Cover, (COV) (Standard)

High impact full plastic cover, non-handed.

Drop Plate

DC100408 (AL) | DC100409 (Duro)

For top jamb mount when overhead ceiling clearance is less than 1-7/8" or to provide clearance for overhead holder. Also permits parallel arm installation on doors with a minimum top rail of 2-1/2".

Sex Nuts:

SNB1

DC100222 (AL) | DC100095 (Duro)

SNB1 — Sex nuts with machine screws for 1-3/4" (44mm) door.

SNB2

DC100089 (AL) | DC100203 (Duro)

SNB2 — Sex nuts with machine screws for 1-3/8" (35mm) door.

Parallel Arm Bracket, (PAB) (Standard)

DC100117 (AL)

Used when mounting as parallel arm with regular main arm.



COMMERCIAL DOORS & HARDWARE | 800.433.4047 | tellmfg.com